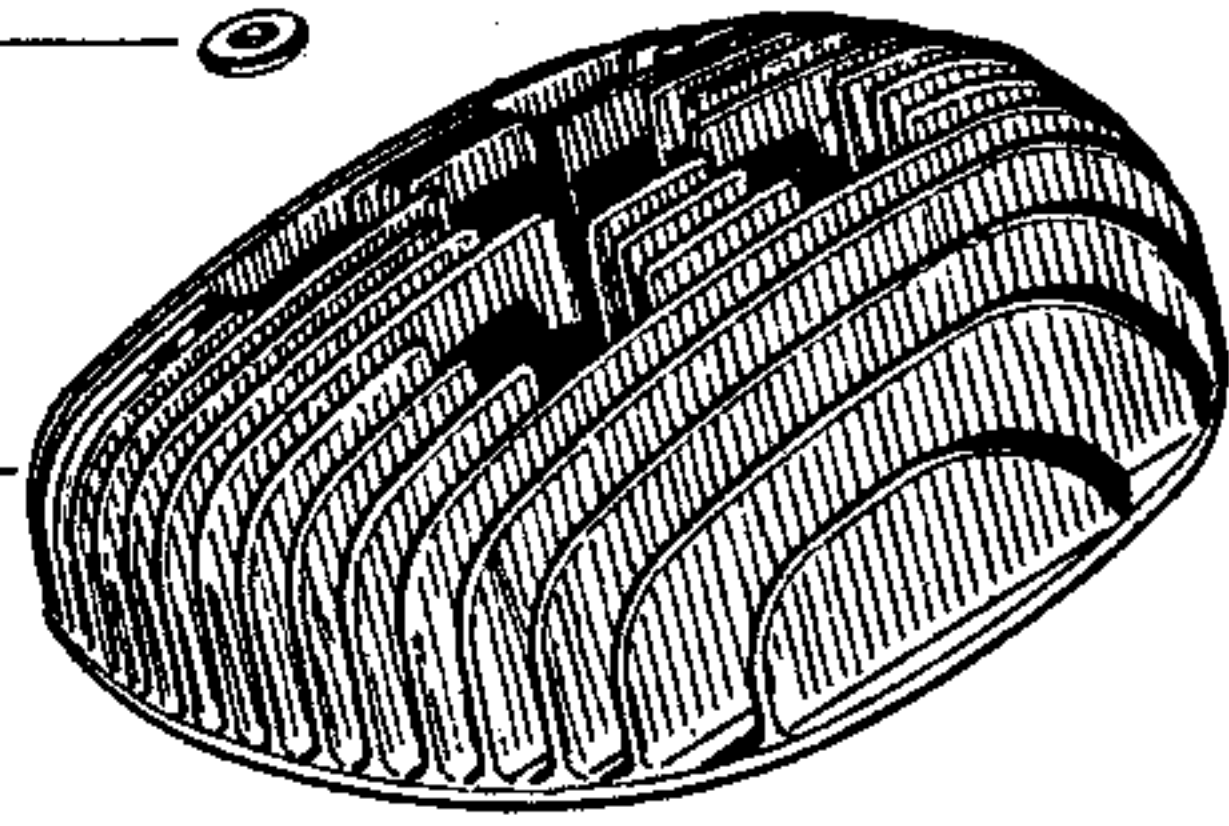




2.60.059

2.60.047

4.60.028



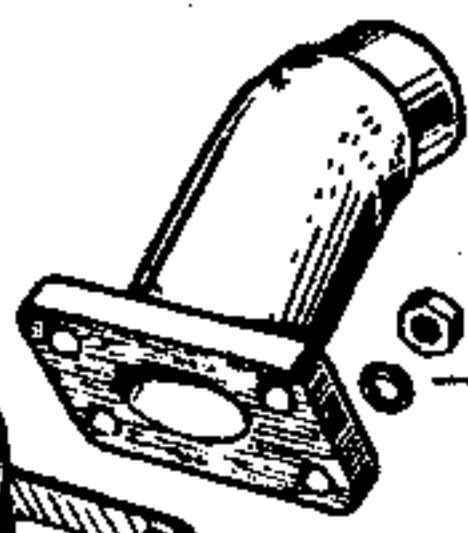
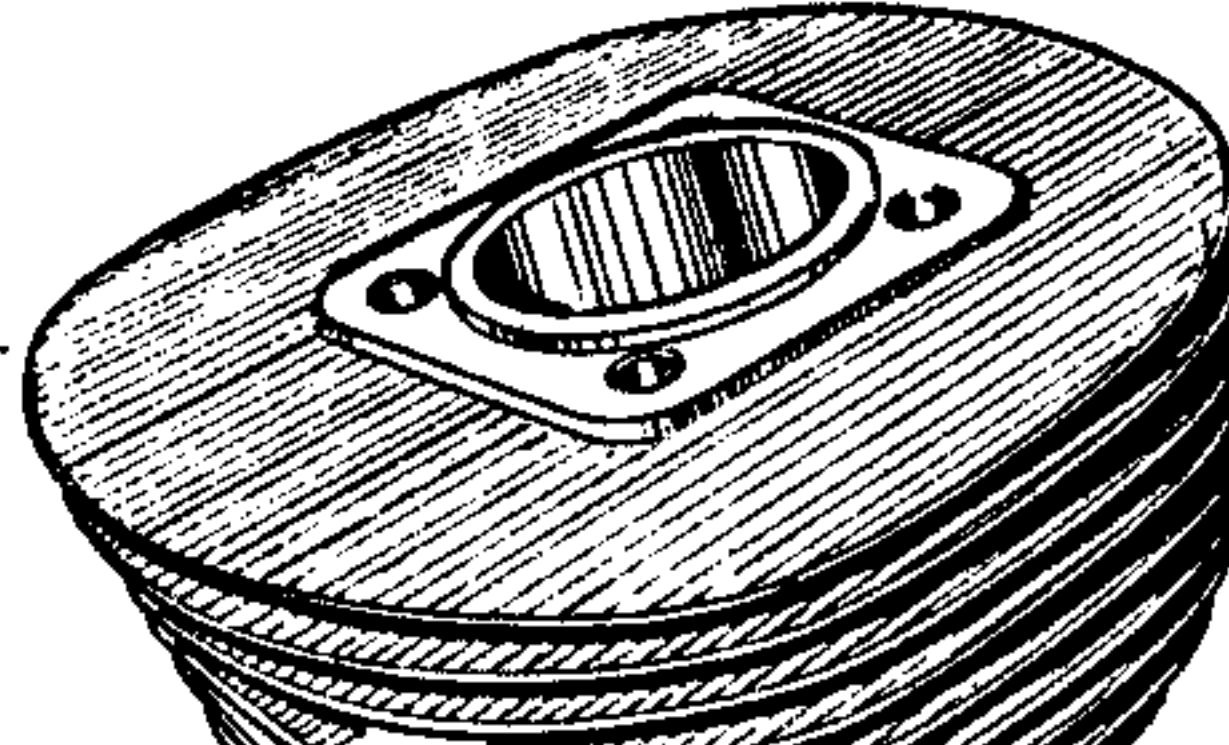
4.60.032

D 6058

0.93.506

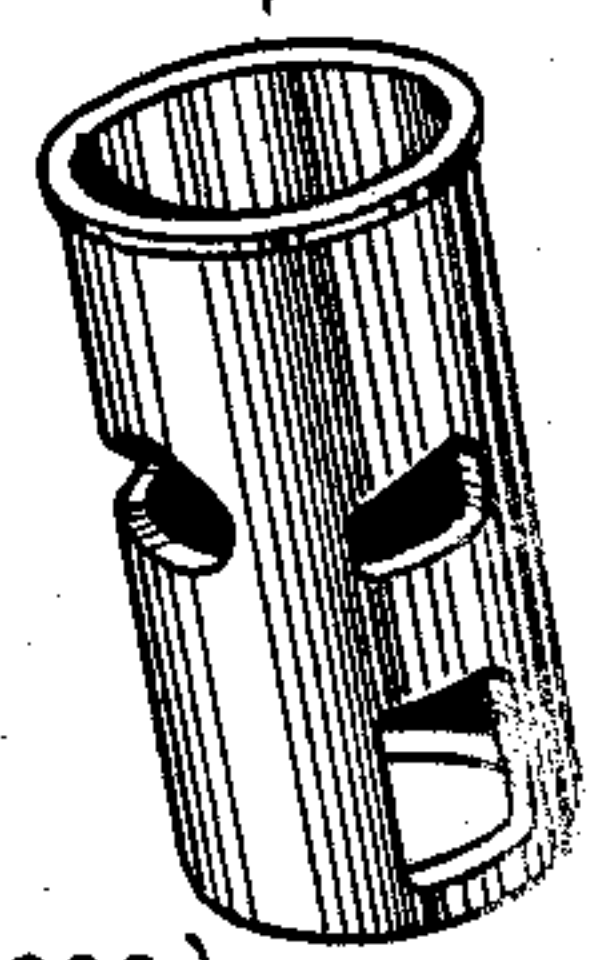
4.60.027

4.60.025 C



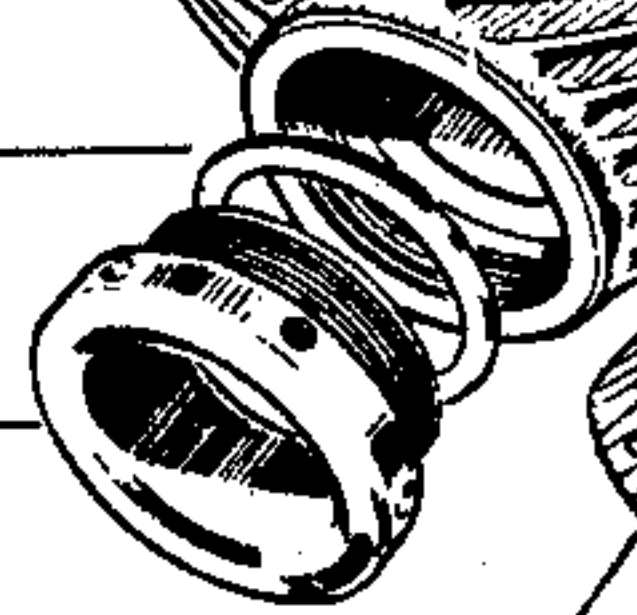
4.60.033

D 6034



2.60.041

2.60.040



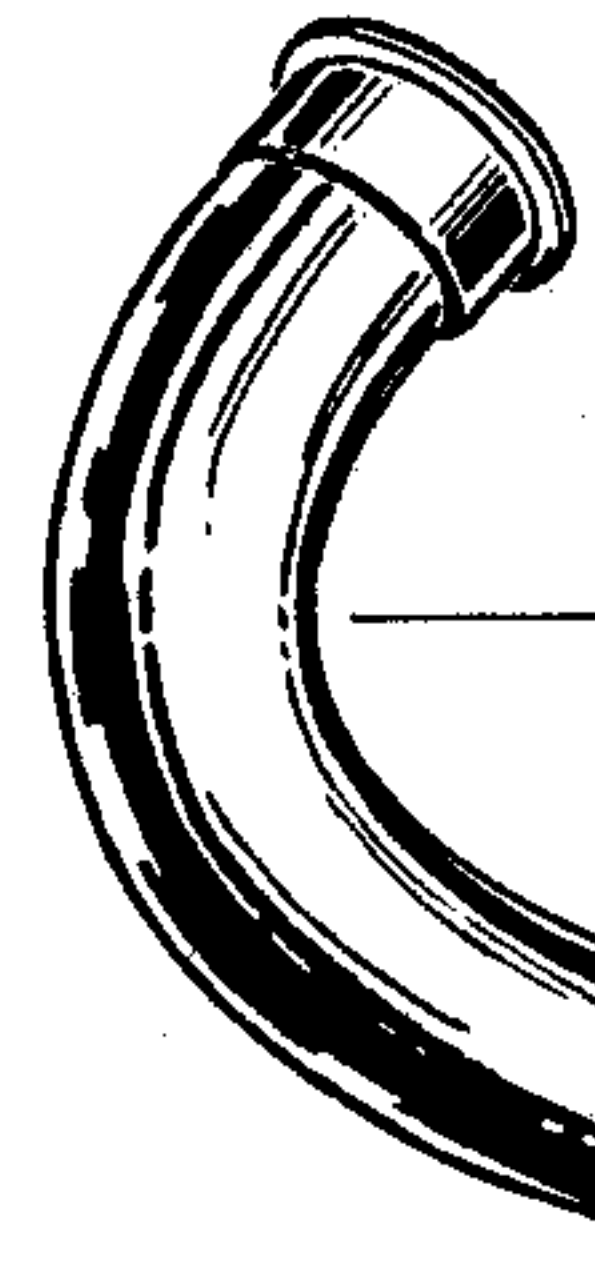
4.60.024

4.60.022

4.60.020

4.60.021

4.60.074 J



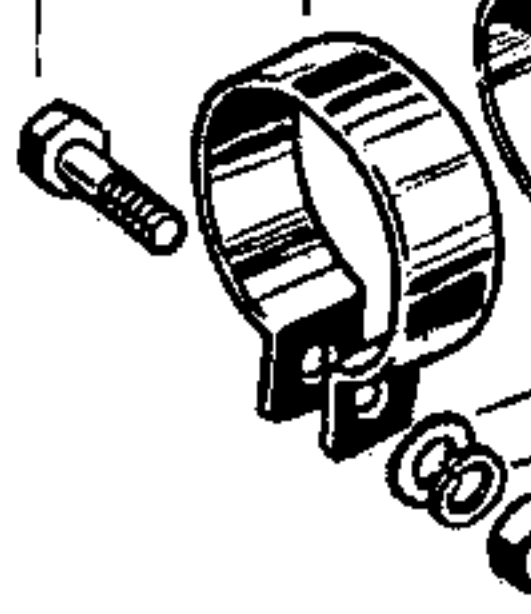
4.60.038 T



0.90.0618

0.92.06

2.60.054



0.93.106

0.93.506

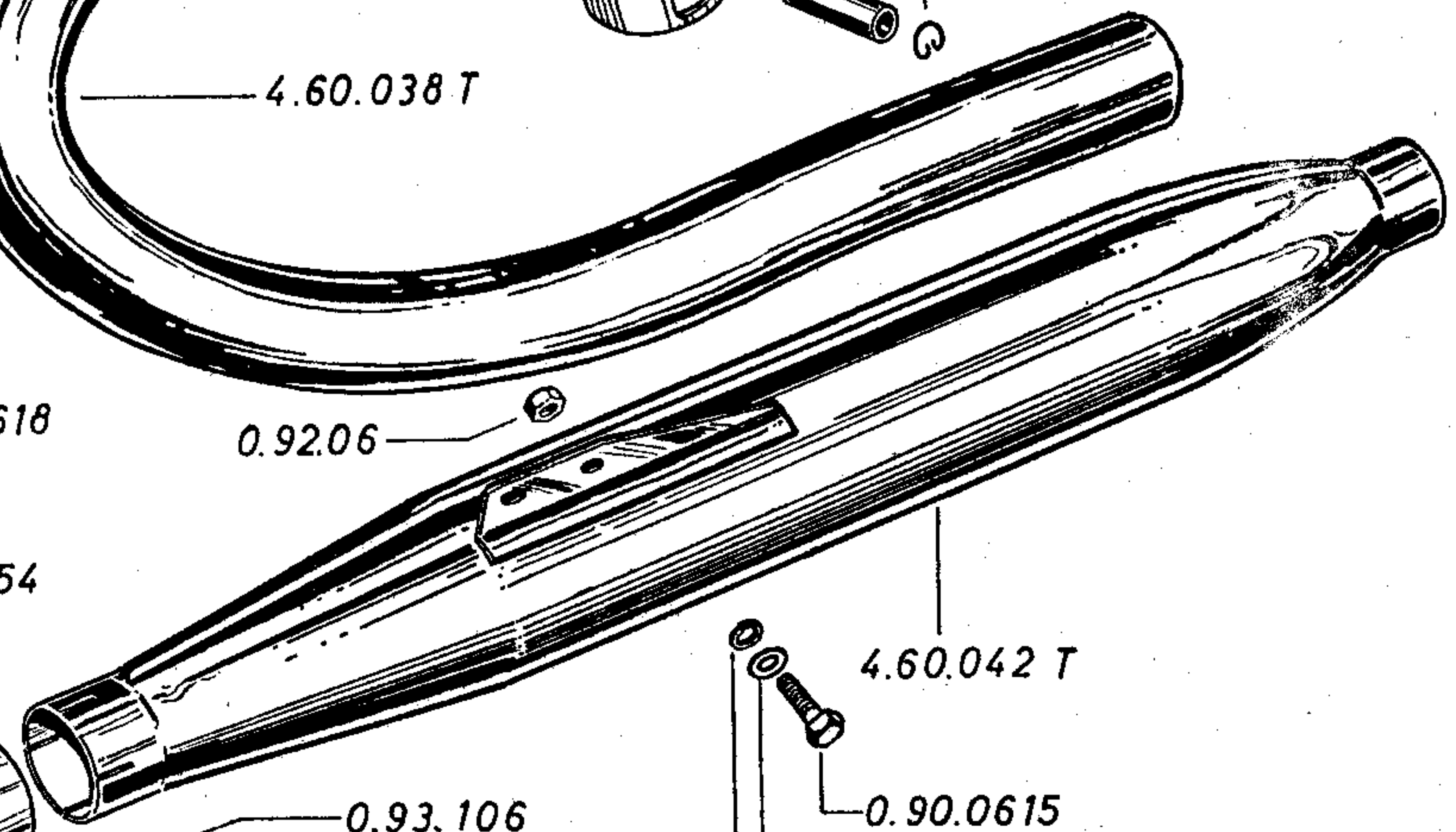
0.92.06

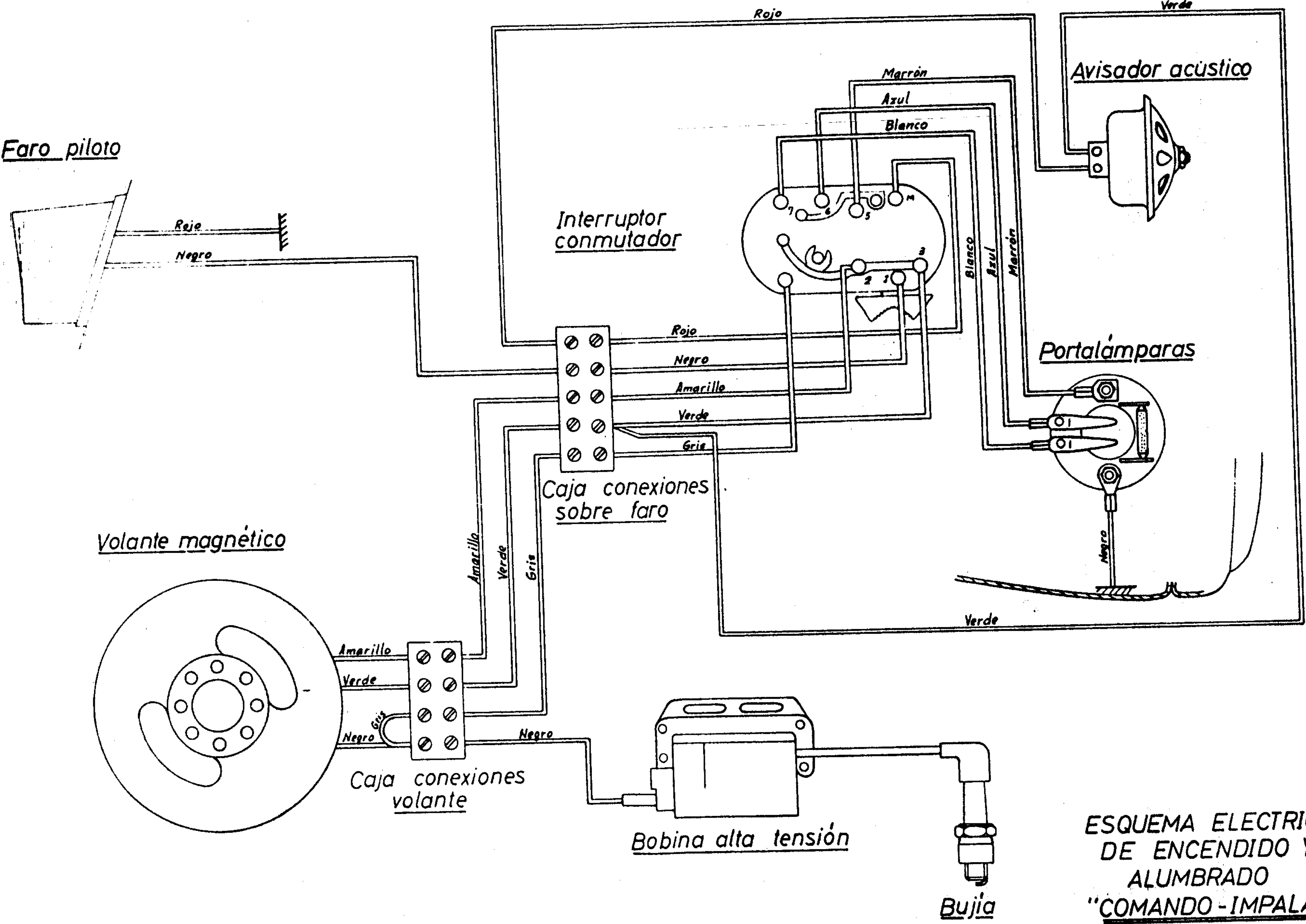
4.60.042 T

0.90.0615

0.93.106

0.93.506





ESQUEMA ELECTRICO DE ENCENDIDO Y ALUMBRADO "COMANDO-IMPALA"

D7078

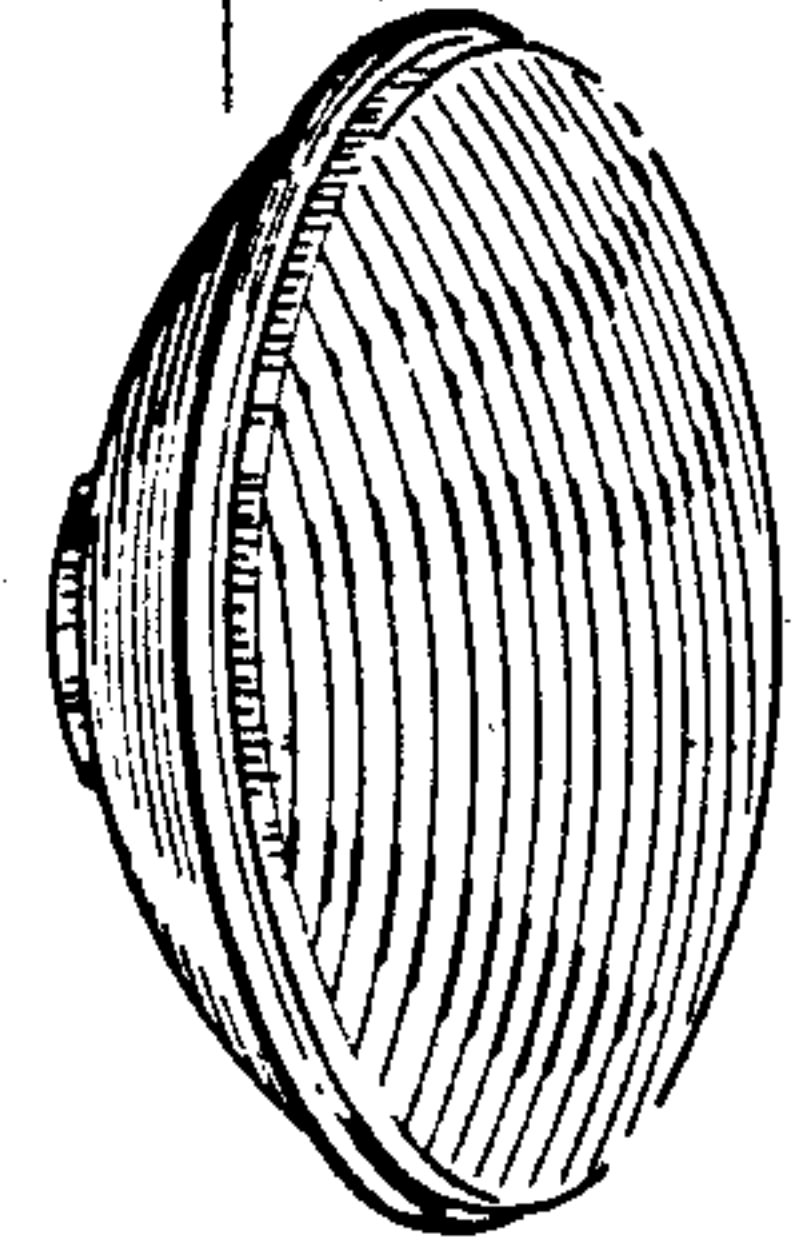
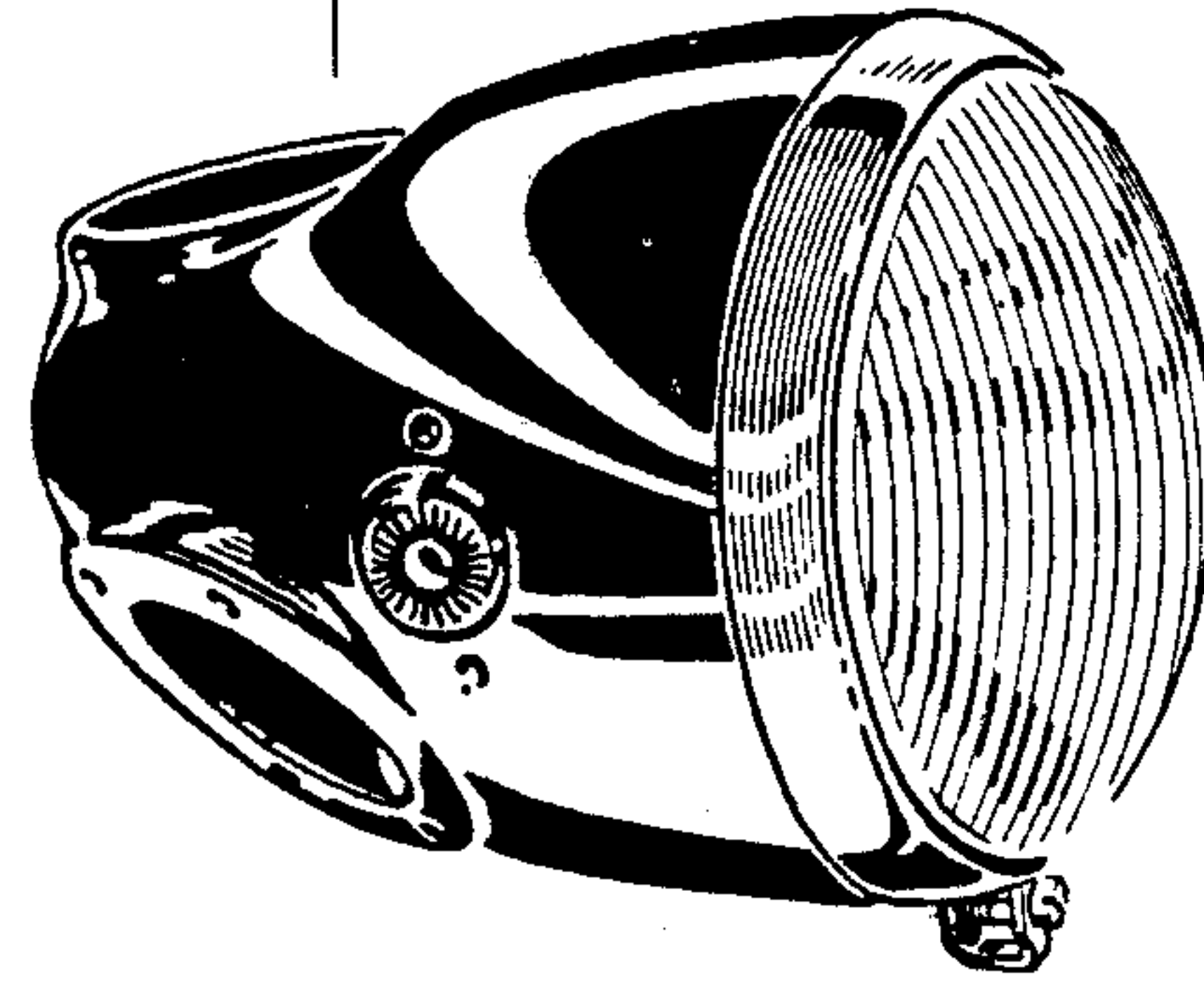
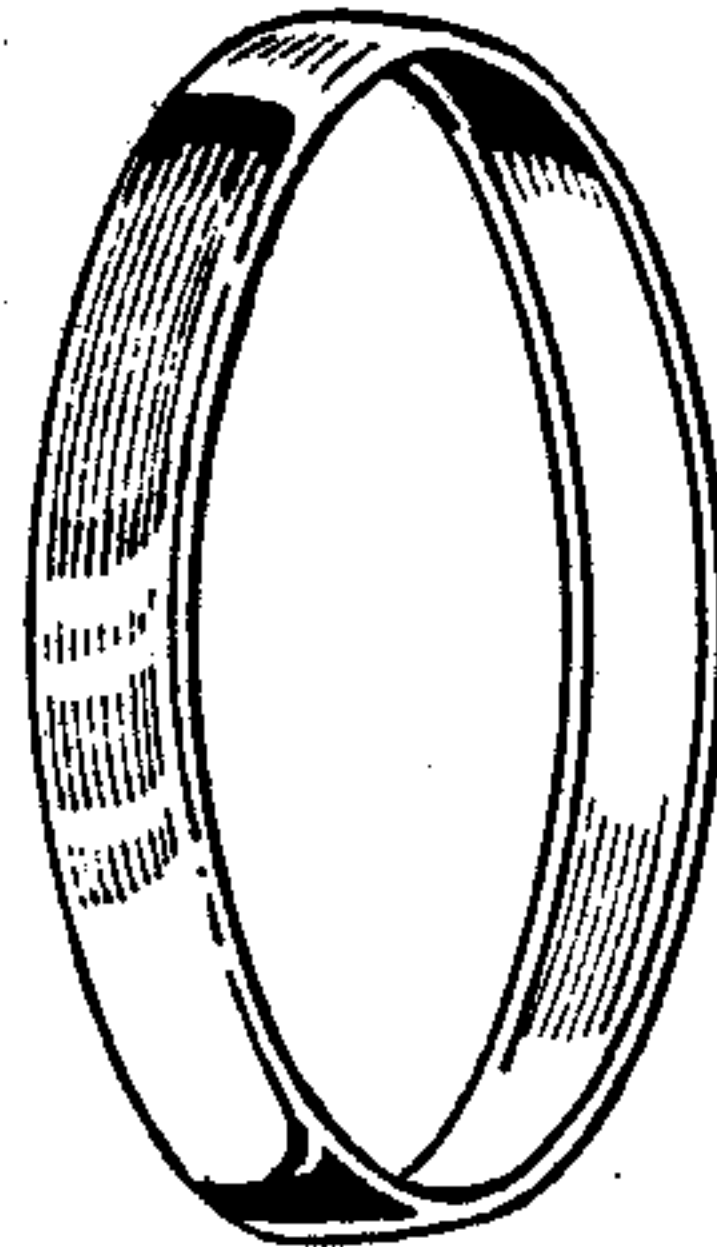
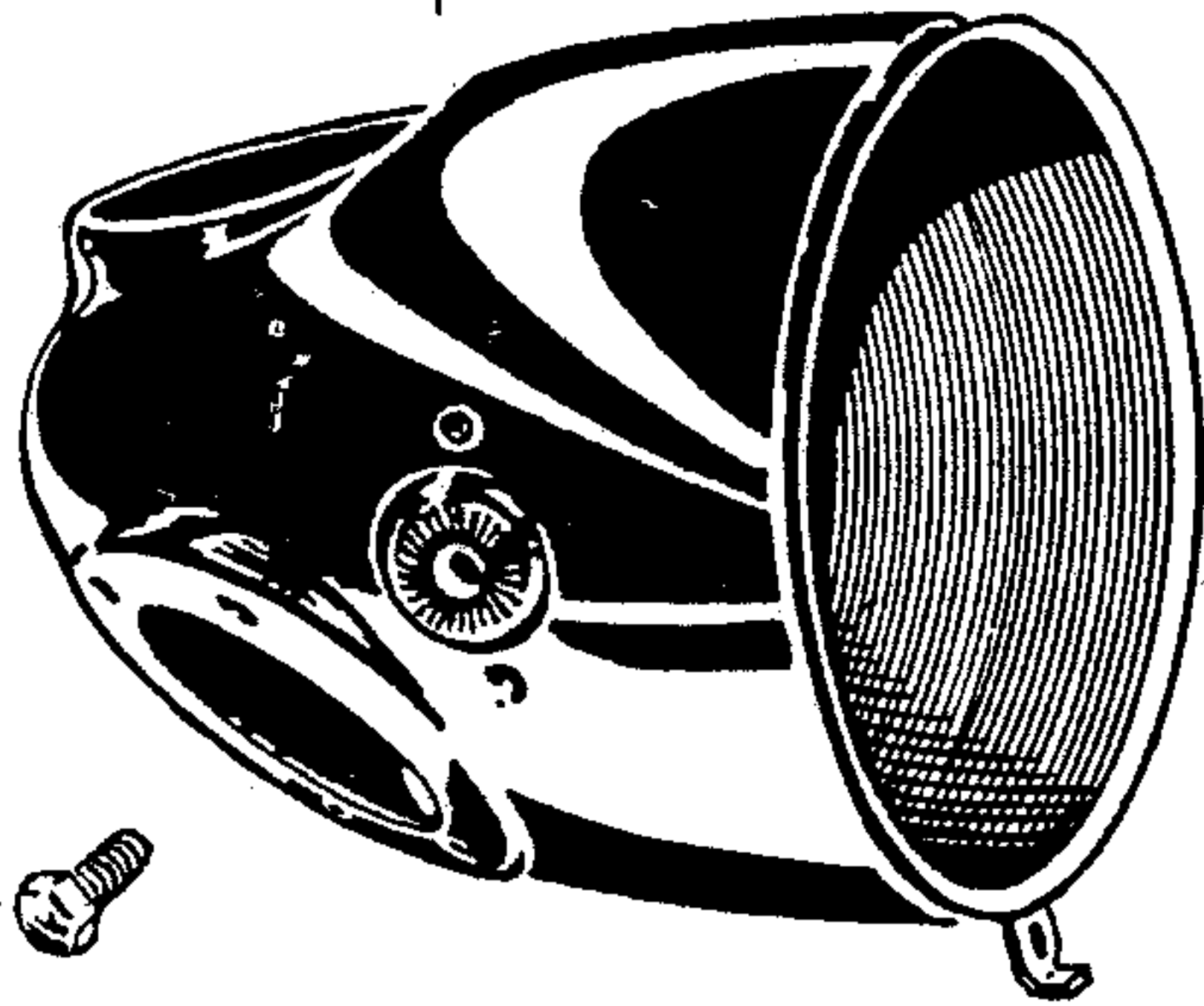
H 70002 K

H 70004 K

H 70001

2 70.218

D7089



H90021

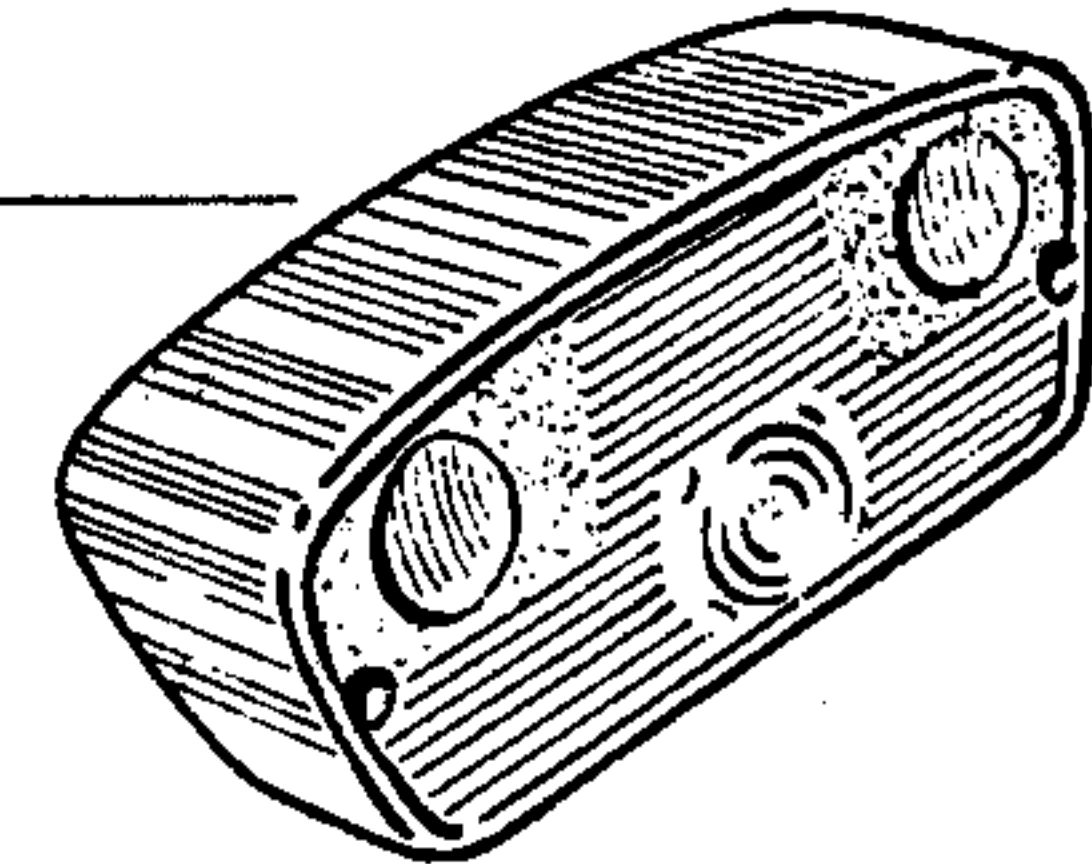
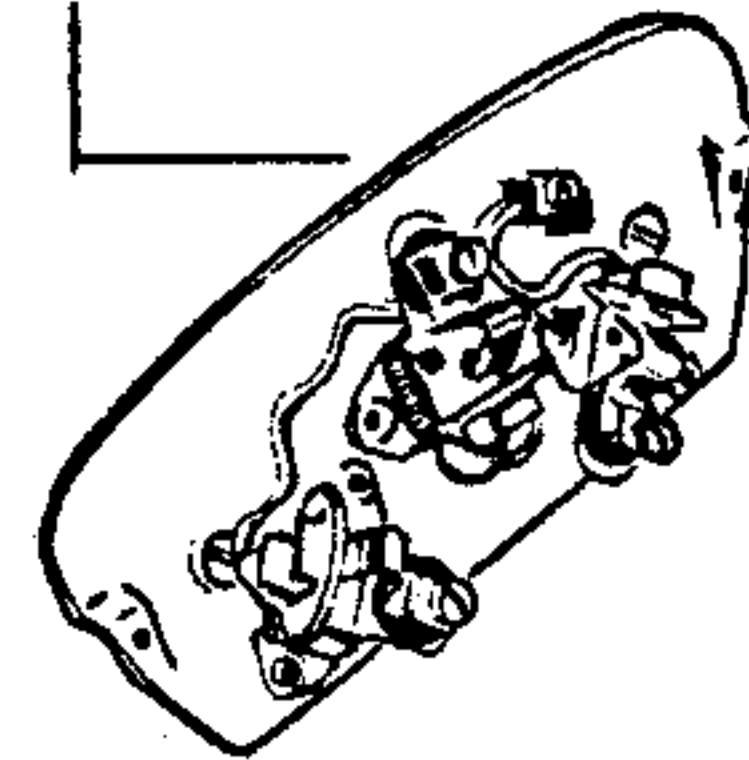
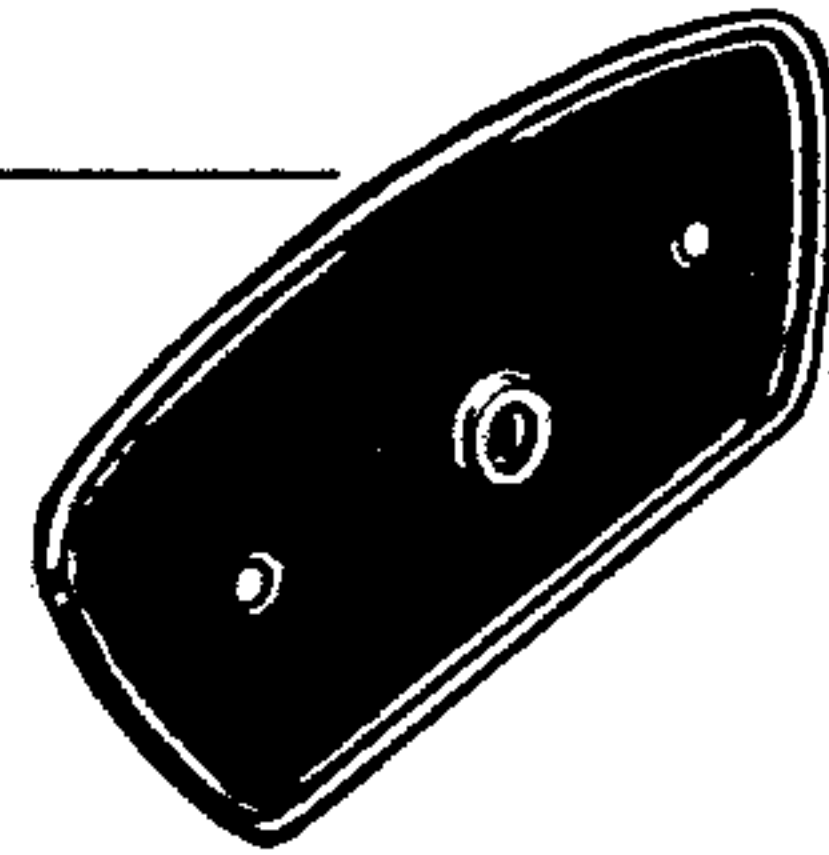
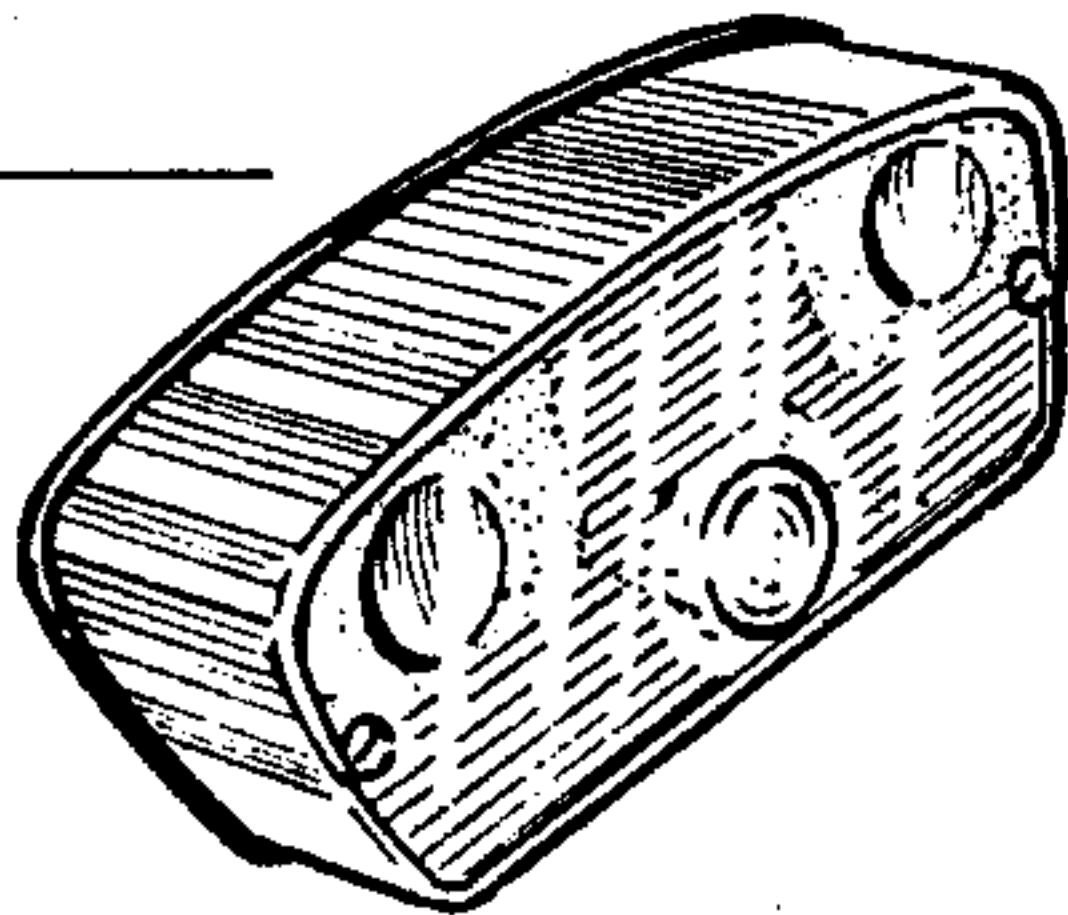
6 70 025 J

6.70 026

5.70.098

5.70.028

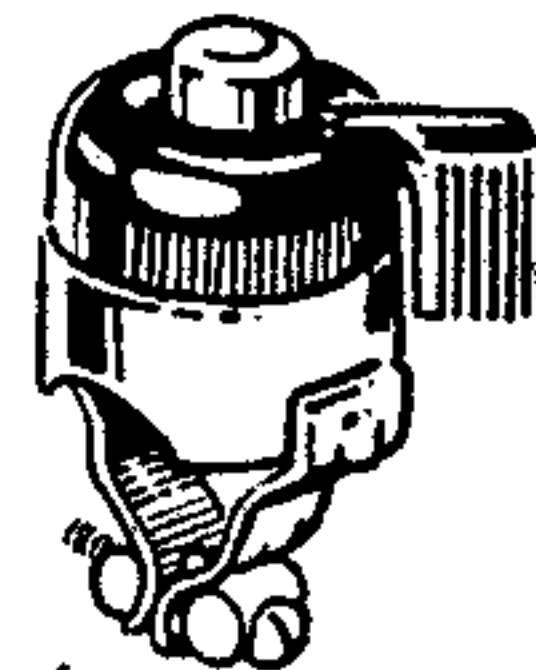
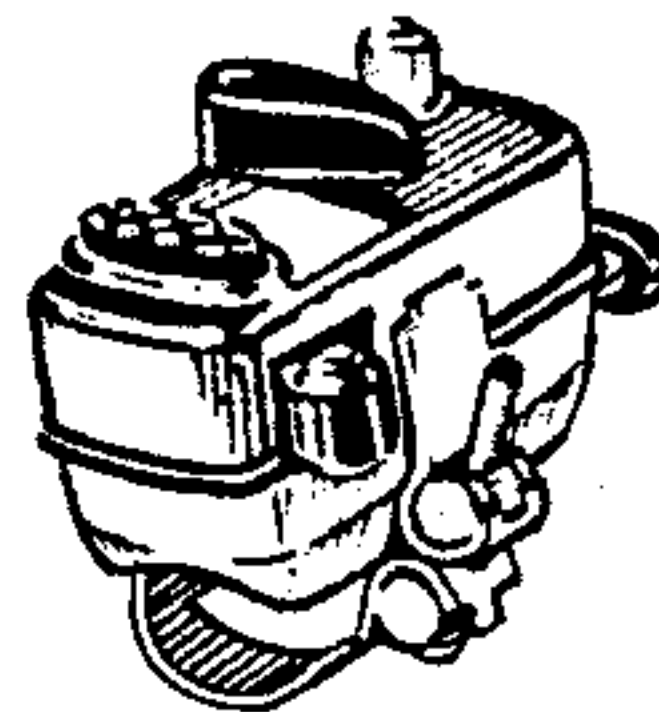
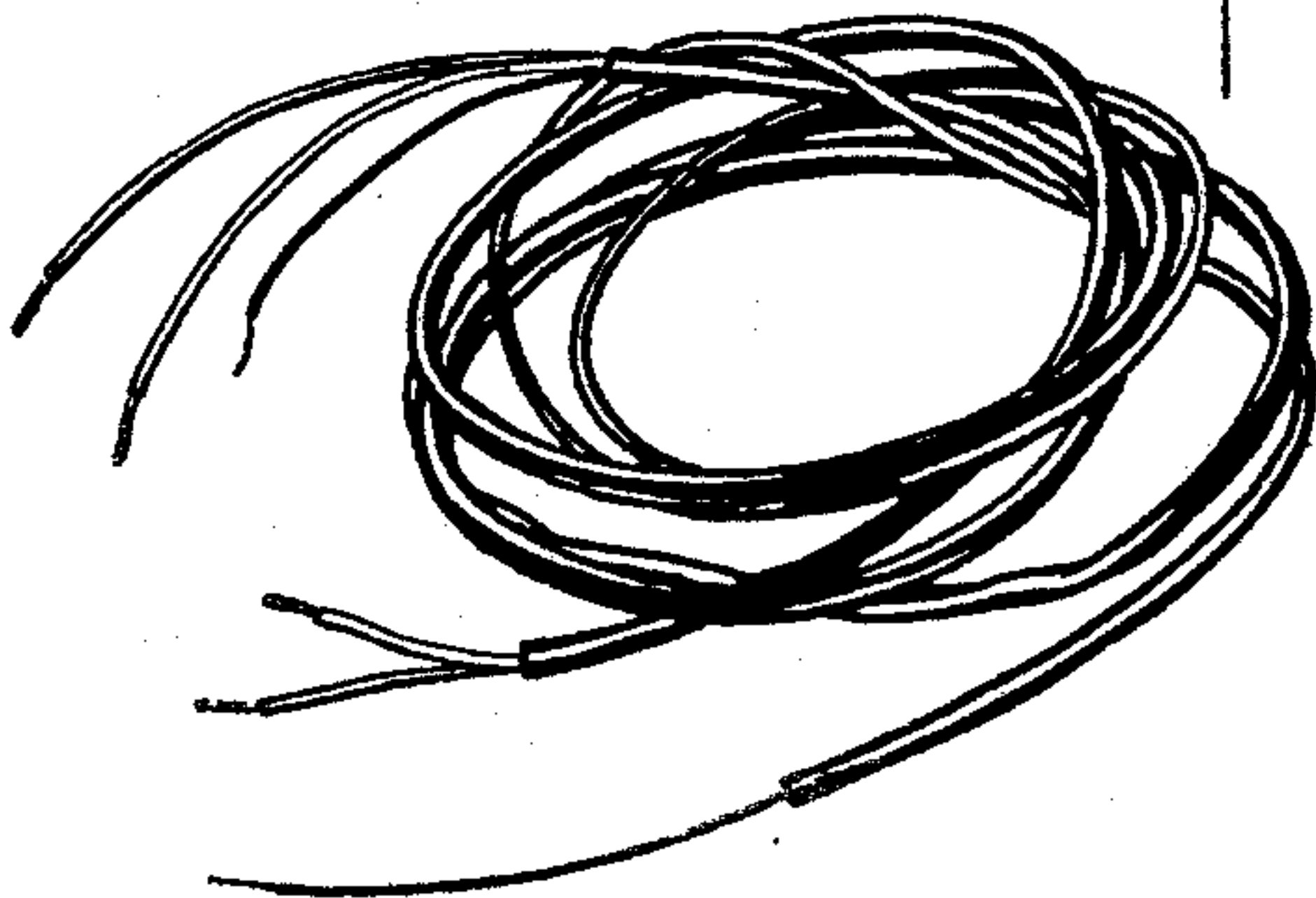
5.70.217



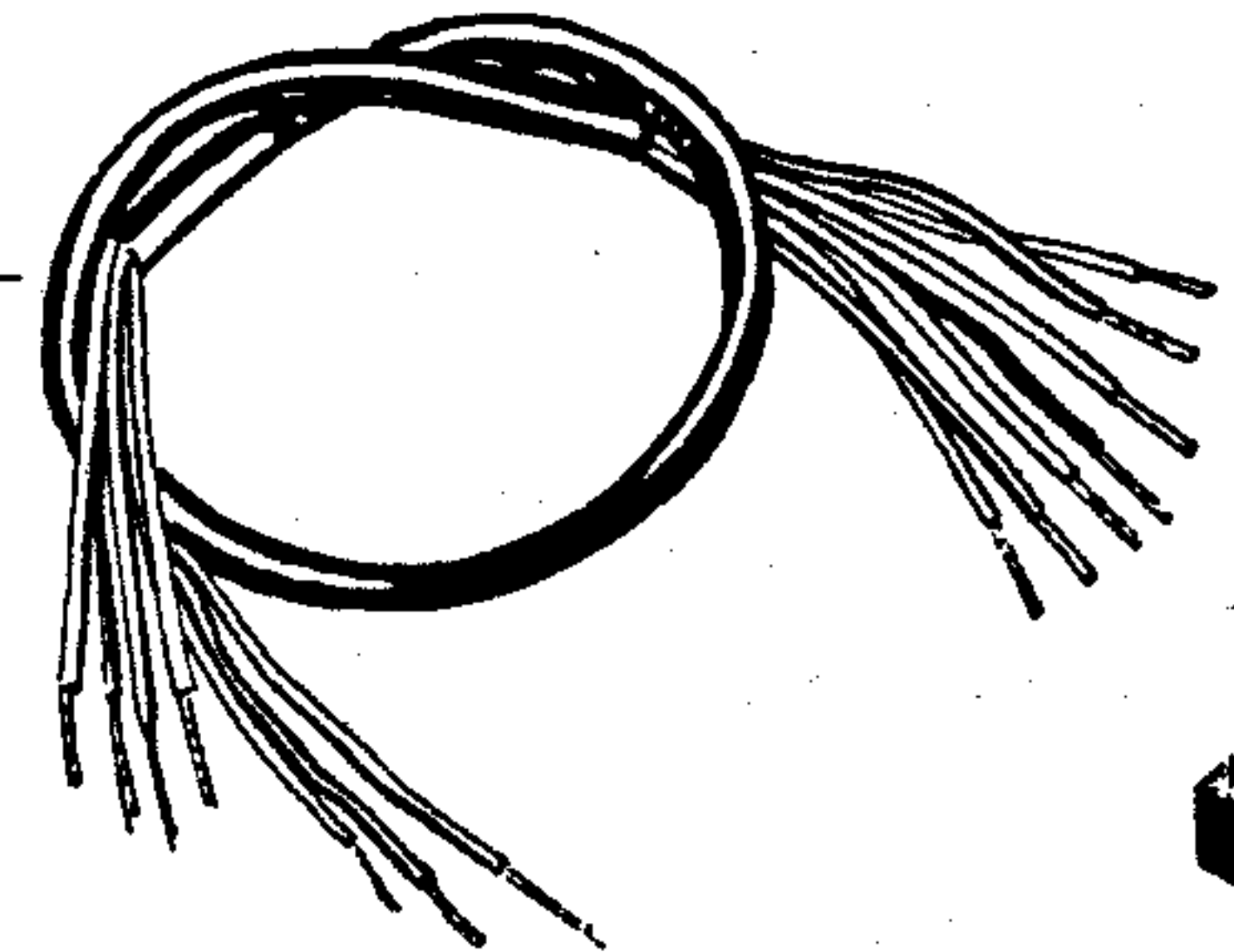
6 70.034 J

D7033 Z

6.70.201



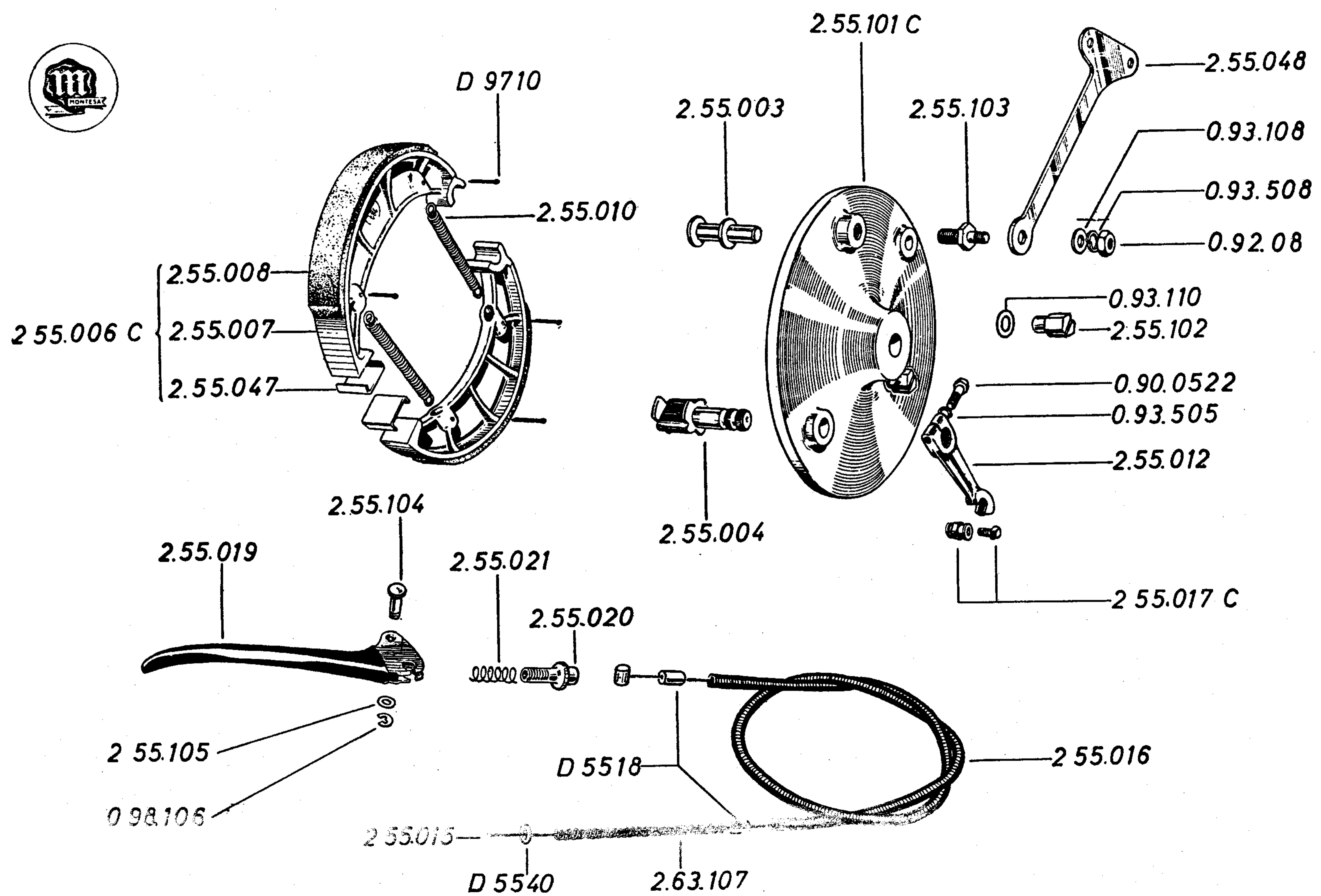
D7080 J

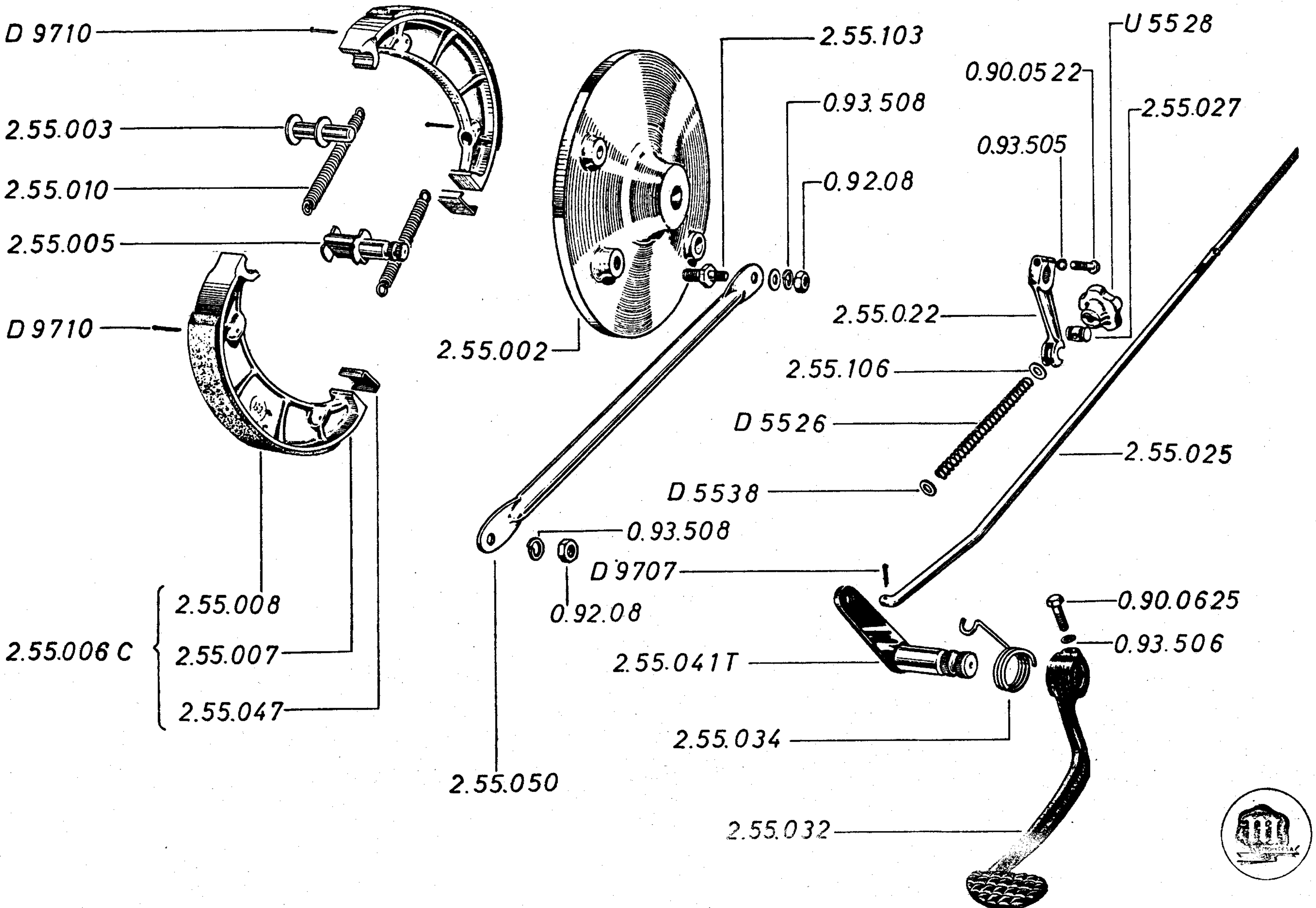


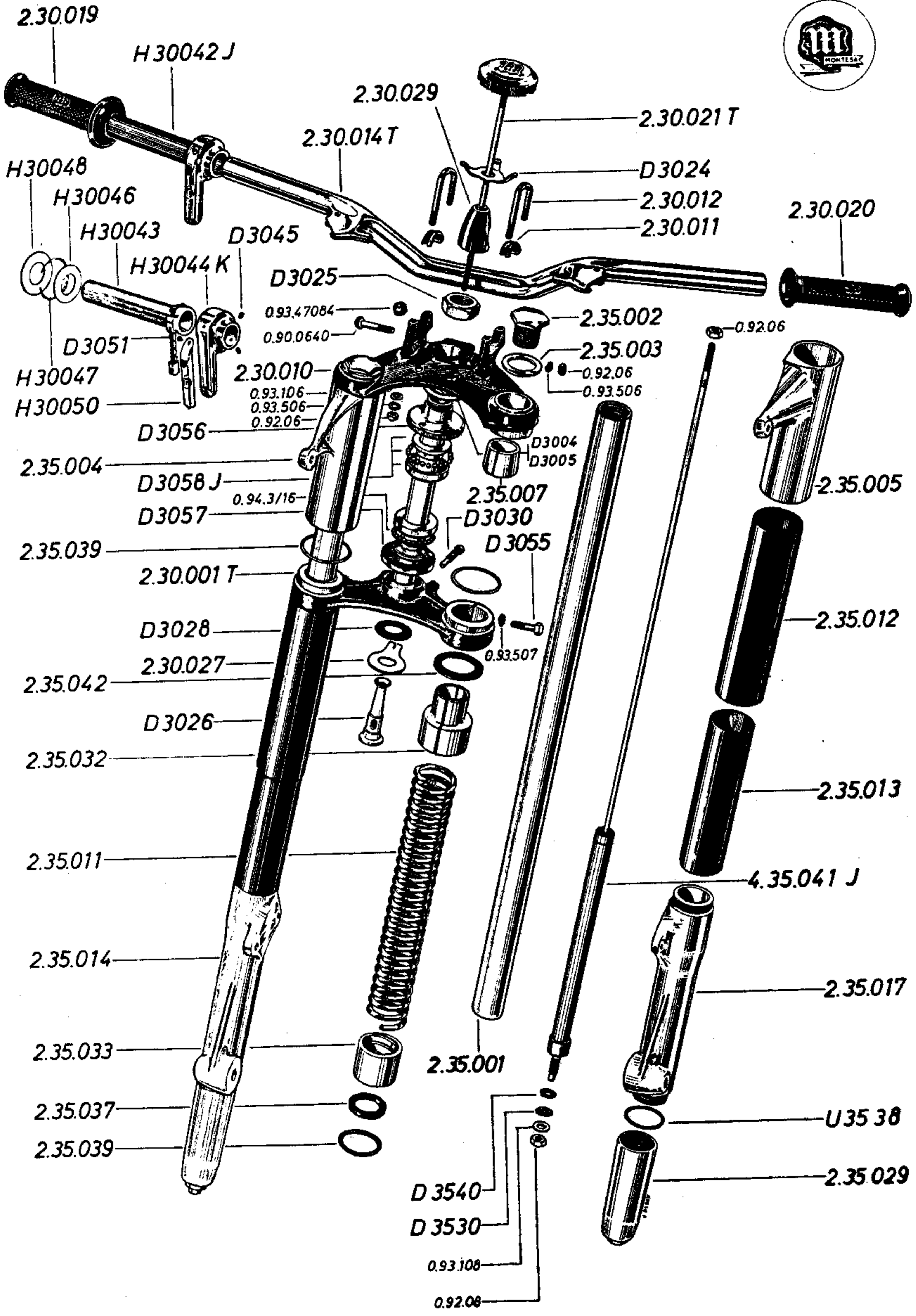
D7059 K

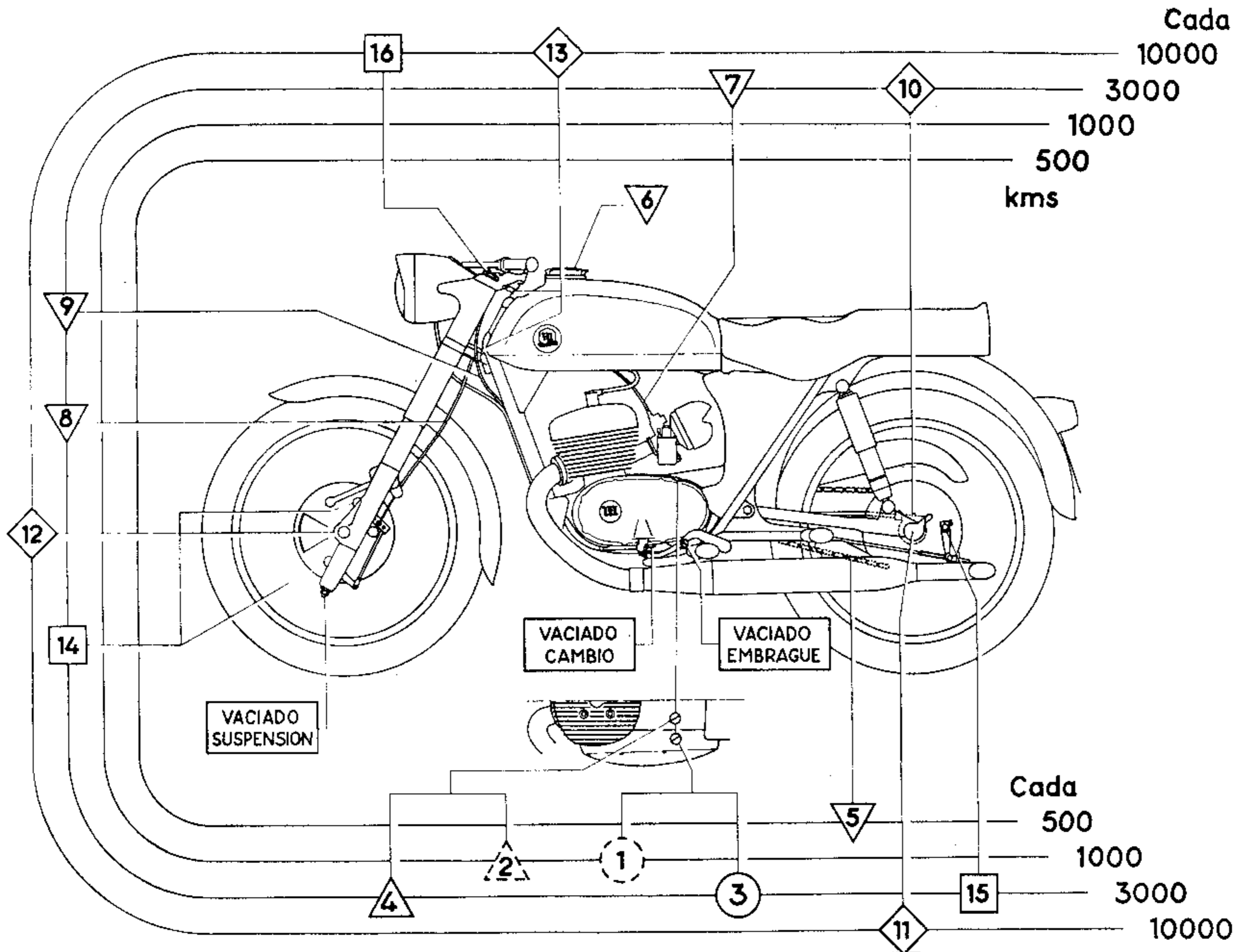
D7065 K J









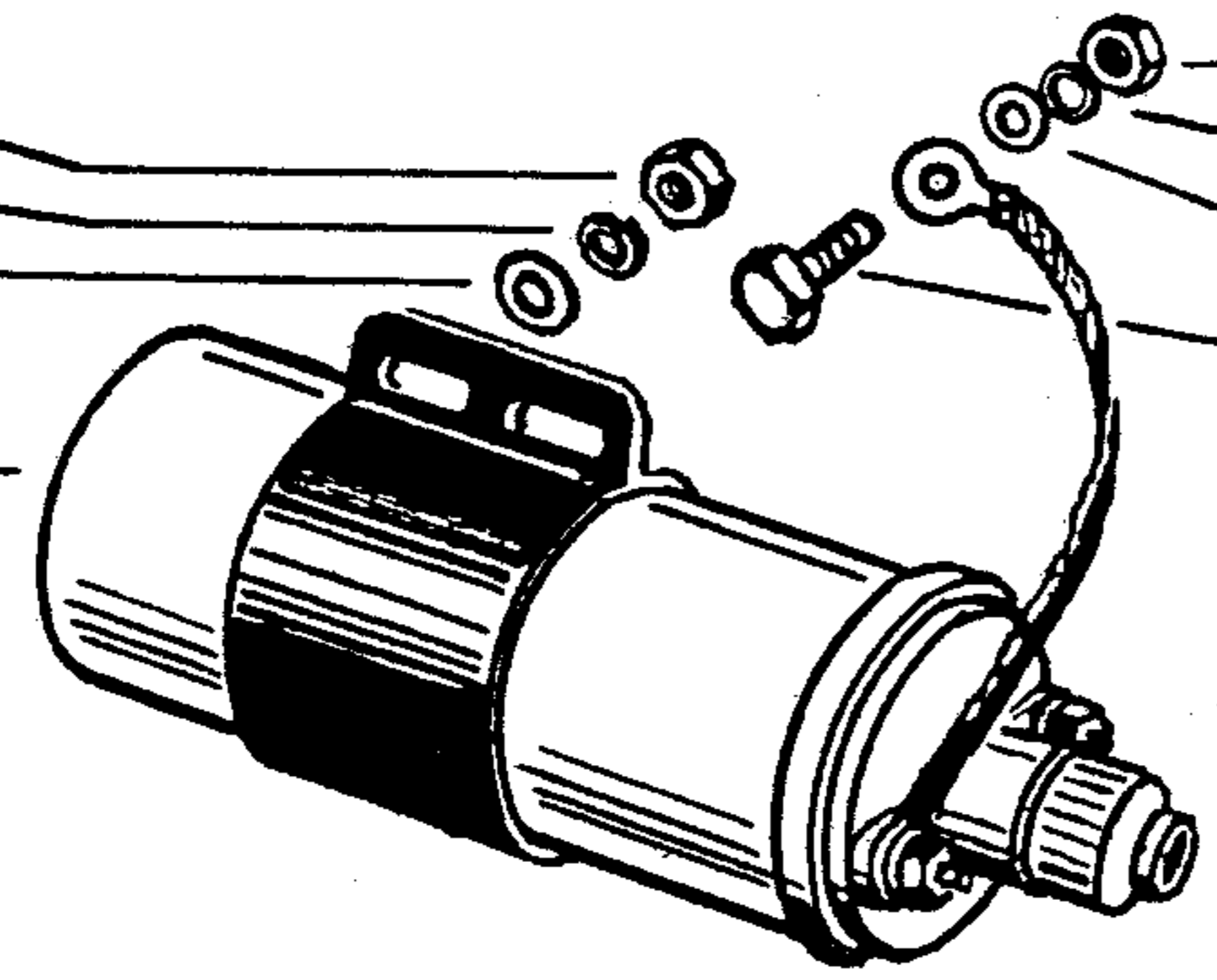




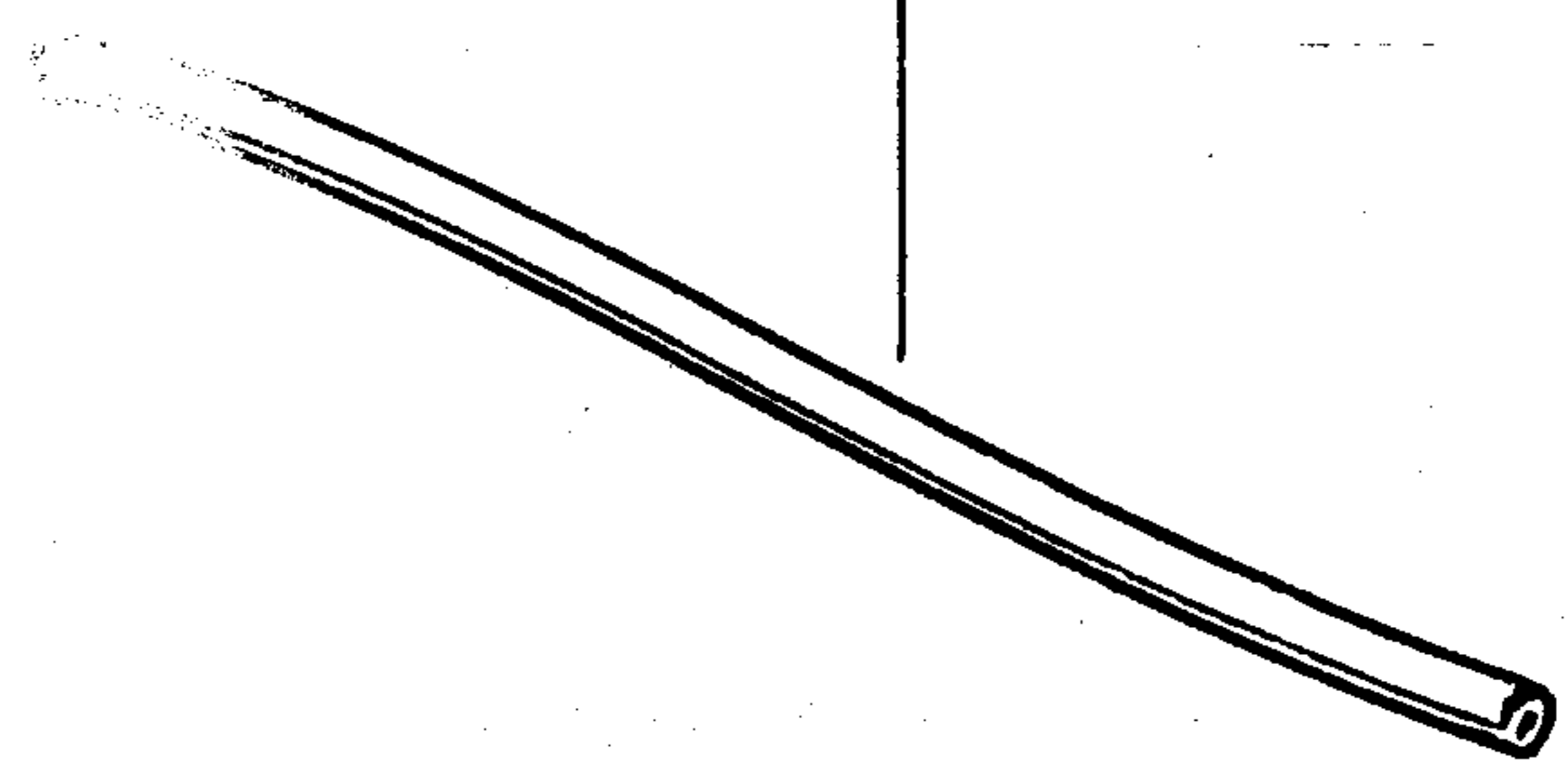
0.92.06
 0.93.506
 0.93.106
 0.92.06
 0.93.506
 0.93.106
 0.90.0615

2.61.057 J

0.90.0618



2.61.048



2.61.201



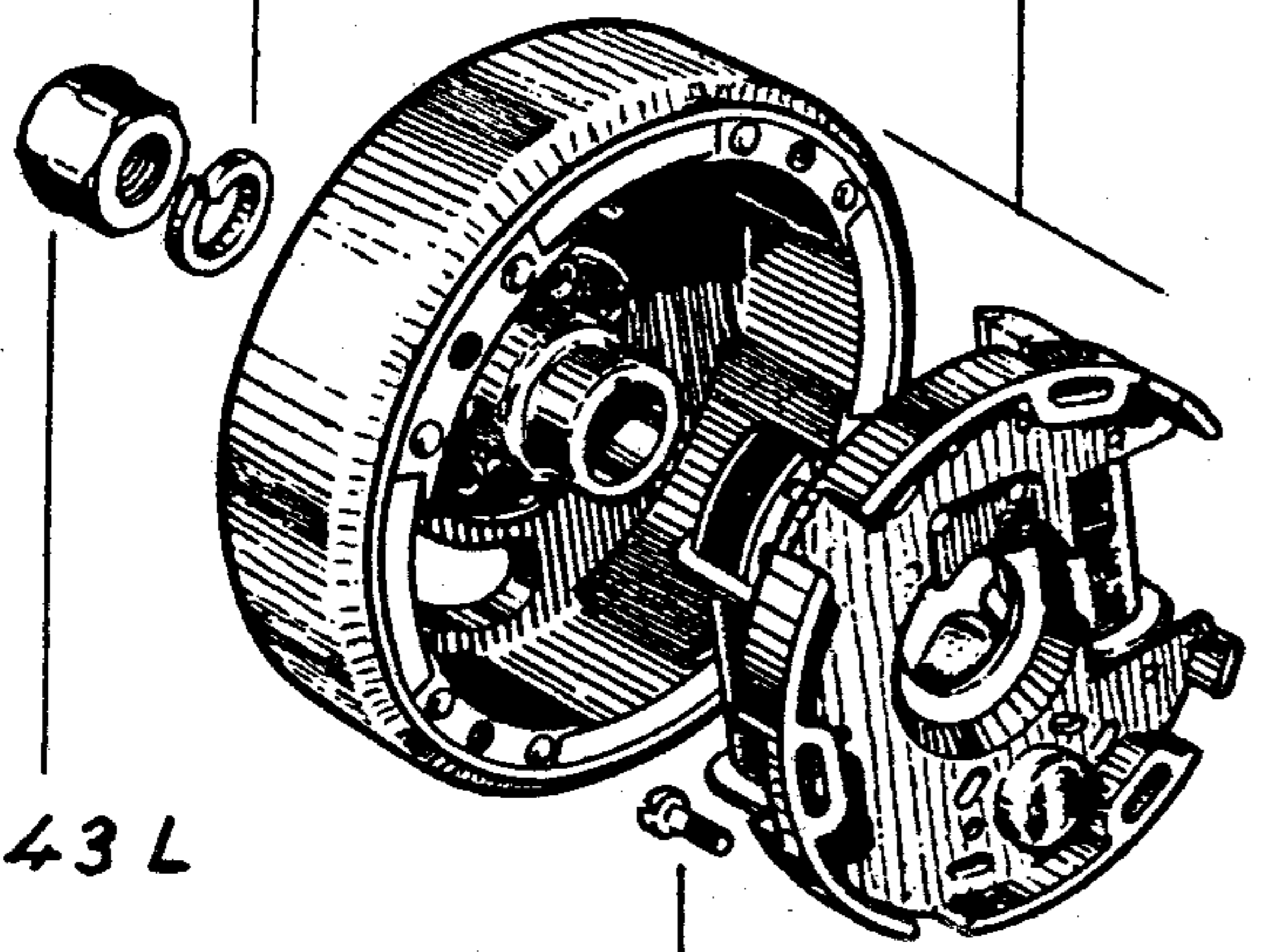
2.61.202



D 6154

2.61.001

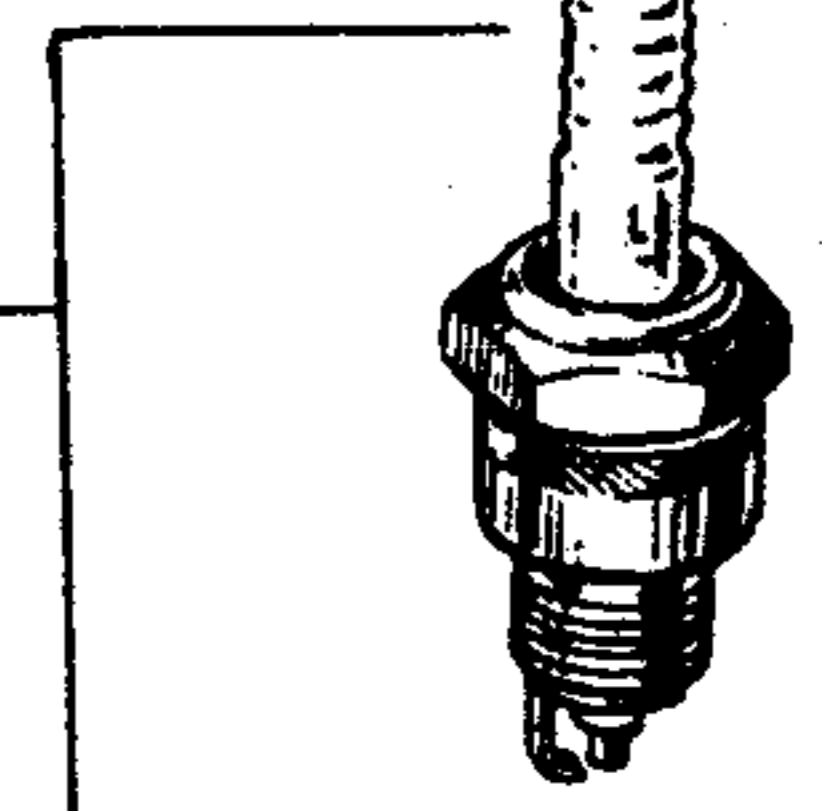
D 6144



D 6143 L

2.61.042

D 6146 Y



D 6150

